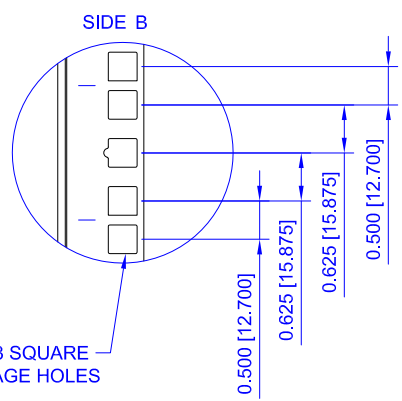
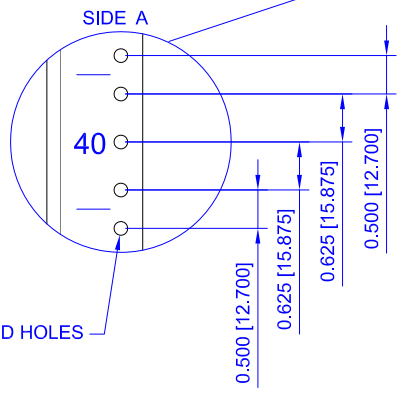
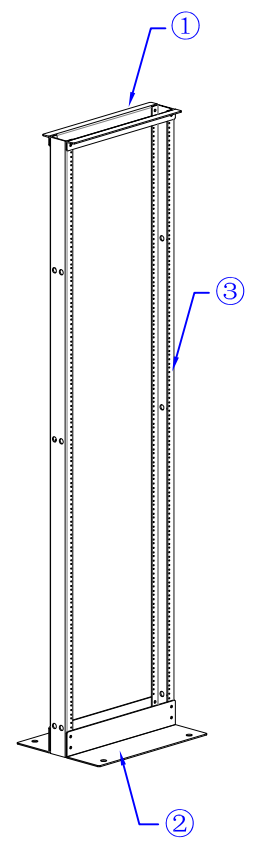
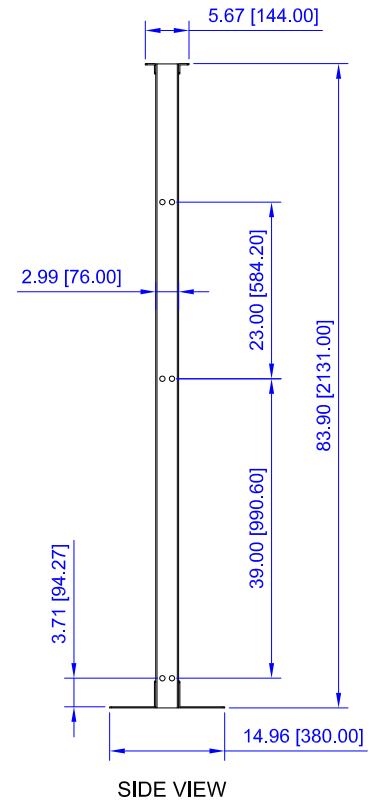
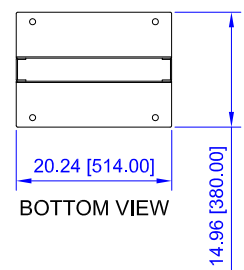
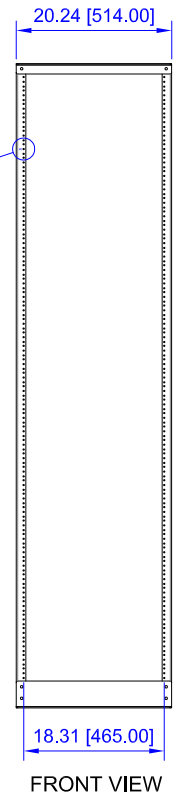
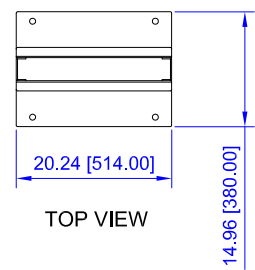


COMPLIANCE	ANSI/EIA RS-310D IEC60297-2 DIN41494; Part 1 DIN41494; Part 7
LOADING CAPACITY	1,000 lbs static load



3	2	Rails	Steel	8 gauge
2	2	Base Plate	Steel	8 gauge
1	2	Top Frame	Steel	8 gauge
NO	QTY	NAME	MATERIAL	THICKNESS

ITEM NO.		VR3-451*		VERICOM [®]
DESCRIPTION				
45U TWO POST STEEL RACK				
DATE	SCALE	SHEET	REV	
04/14/20	none	1 of 1	1	

*VR3-451 replaces RR2PS45

All dimensions in inches [mm]